

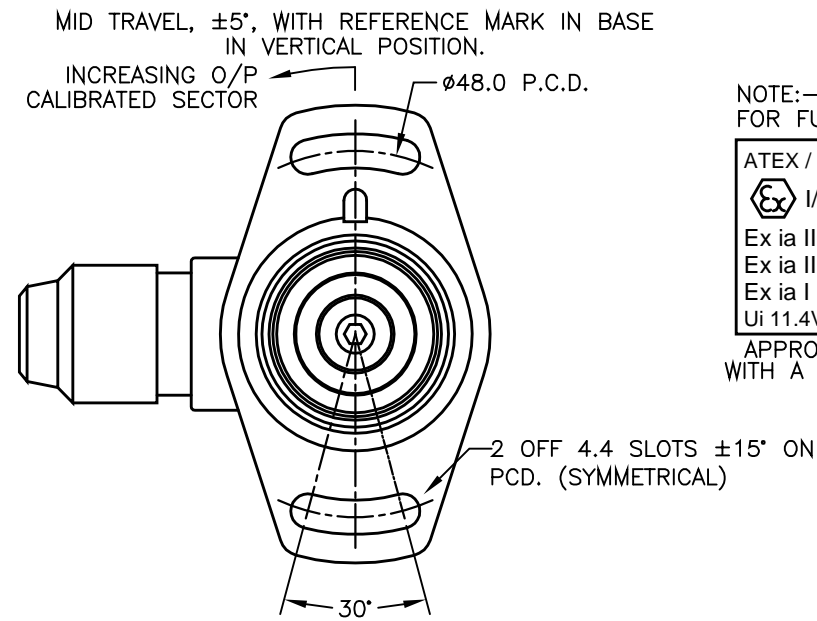
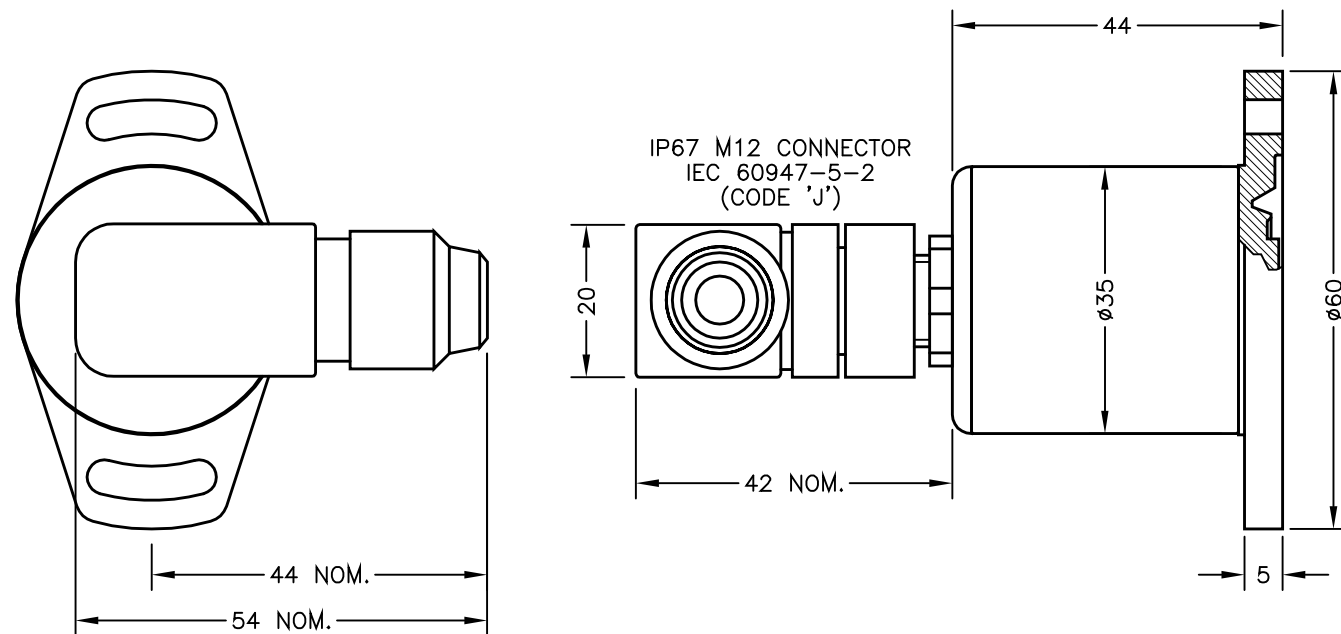
N.b. CONNECTOR ORIENTATION NOT GUARANEED.

ELECTRICAL OPTIONS/ SPECIFICATIONS

<u>OUTPUT</u>	<u>SUPPLY</u>
0.5 TO 4.5V RATIO METRIC	5V
SUPPLY CURRENT 12mA TYP. 20mA MAX.	
CONNECTOR (MAXIMUM CONDUCTOR CROSS SECTION 0.75mm <sup>2</sup> )	
:1	+Ve
:2	OUTPUT
:3	0V
:4	BODY

RANGE OF DISPLACEMENT FROM 0-15° TO 0-160° e.g.76°, IN INCREMENTS OF 1°.

BODY MATERIAL:- STAINLESS STEEL.  
FLANGE BASE MATERIAL:- STAINLESS STEEL.



NOTE:- READ INSTALLATION SHEET M603-19 FOR FULL INSTRUCTIONS FOR USE.

ATEX / IECEx APPROVED TO

I/II M1/1GD

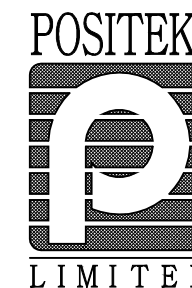
Ex ia IIC T4 Ga (Ta= -40° to +80°C)  
Ex ia IIIC T135°C Da (Ta= -40° to +80°C)  
Ex ia I Ma (Ta= -40° to +80°C)  
Ui 11.4V, Ii 0.2A, Pi 0.51W

APPROVED FOR USE IN CONJUNCTION WITH A GALVANICALLY ISOLATED BARRIER.

D	ADDITIONAL DIMS/VIEWS ADDED.	PDM
E	DISP. 15 TO 160° WAS 20 TO 160° RAN442.	PDM
F	APPROVAL STANDARDS UPDATED - RAN465, REGISTRATION MARK CORRECTED RAN490.	PDM
G	RANGE NOTE AMENDED ~ RAN1200	PDM



DRAWINGS NOT TO BE CHANGED WITHOUT REFERENCE TO THE CHANGE PROCEDURE. CHANGES TO PARTS USED IN INTRINSICALLY SAFE PRODUCT MUST BE APPROVED BY THE AUTHORISED PERSON  
THIS IS AN UNCONTROLLED PRINT AND WILL NOT BE UPDATED.



D	06/07/11		CHECKED BY	X	±0.4
E	20/11/13		RDS	X.X	±0.2
F	14/04/14			X.XX	±0.1
G	13/09/17				DIMS mm
		DESCRIPTION			
		M603 INTRINSICALLY SAFE LARGE ANGLE TILT SENSOR			
SCALE		DRAWING NUMBER			
10mm		M603-11			
		REV		G	
		SHEET		1	OF 1